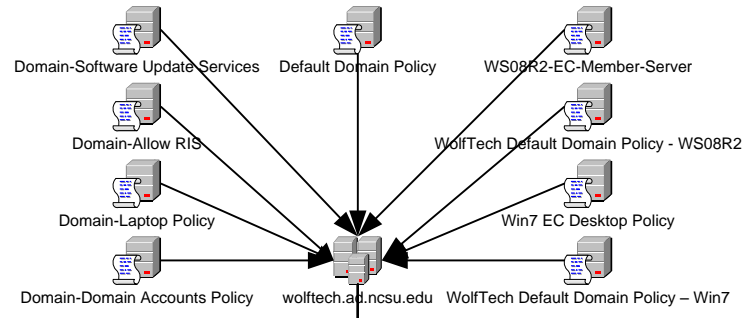
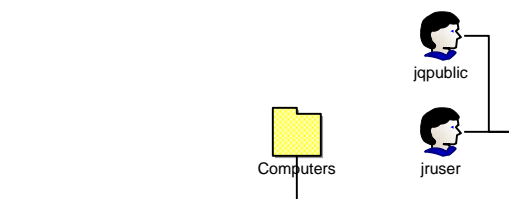
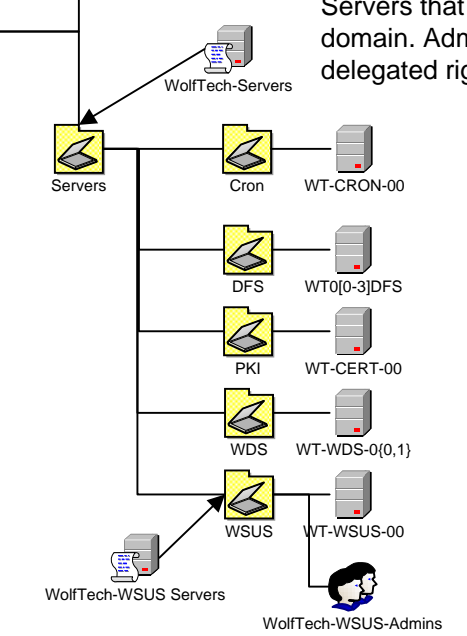


Automatically provisioned accounts. Read permissions are restricted.



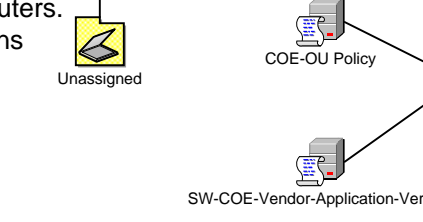
Servers that serve the entire domain. Admins are delegated rights per-service.



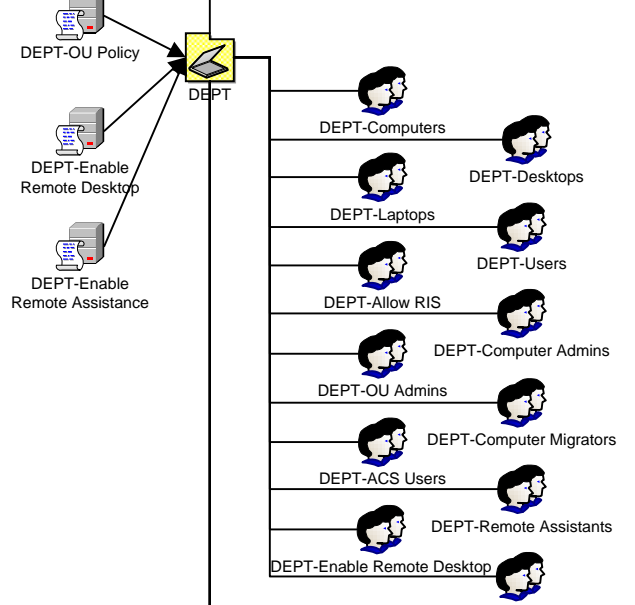
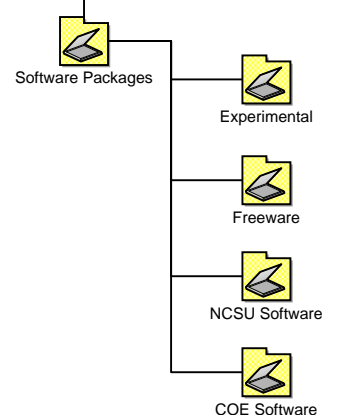
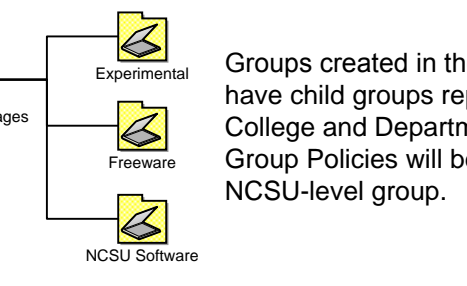
Groups built using Identity information (course rolls, OUC, role, building, etc.) Read permission is restricted.



Default container for new computers. NCSU-Departmental OU Admins can remove computer objects



Groups created in these OU's will have child groups replicate to each College and Department. Software Group Policies will be filtered off the NCSU-level group.



Computers in Desktops/Laptops OU's are automatically added to .Desktops/.Laptops groups in parent OU.

Departmental Users OU is for creating non-standard accounts – Userid must be longer than 8 characters to avoid conflicts with Unity IDs.

- unityid.admin should be used for OU Administrators

- unityid.domadmin should be used for domain administrators

- DEPT.function.service for service accounts

- DEPT.first.last for guest accounts

Contains managed software distribution groups.

